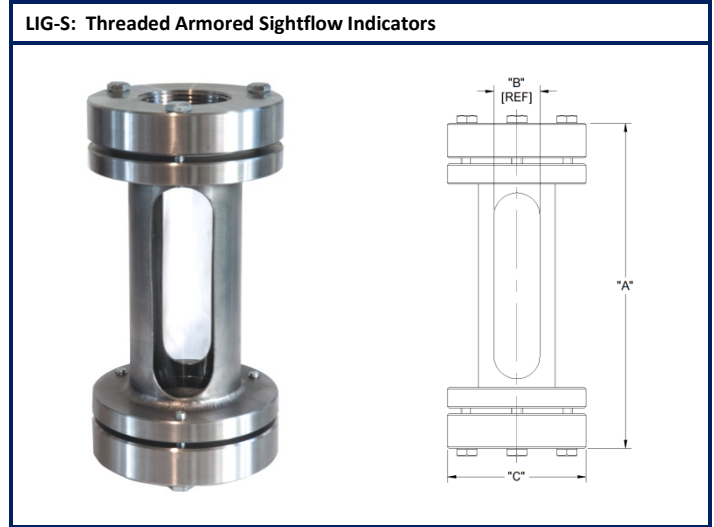
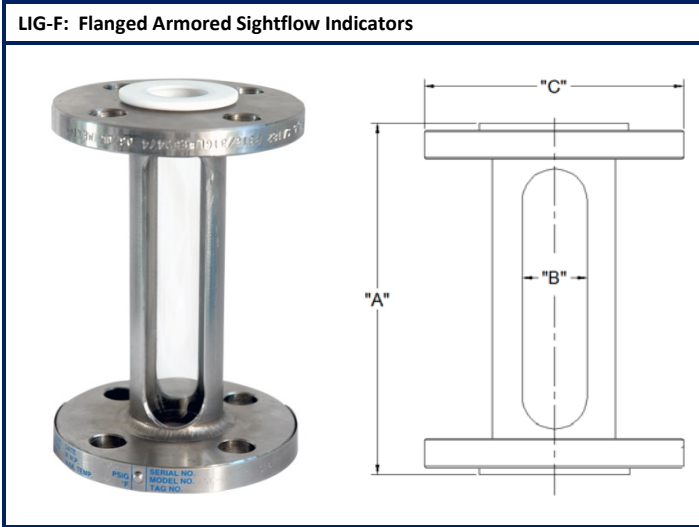


SERIES LIG ARMORED FULL VIEW SIGHTFLOW INDICATORS APPLICATION WORKSHEET

Company: _____ **City:** _____ **State:** _____ **Zip:** _____
Requested by: _____ **Phone:** _____ **Fax:** _____
Address: _____ **Email:** _____

PAPAILIAS, Inc. Series LIG Armored Sight Flow Indicators are used to observe the flow of liquids in a piping system. A rigid steel housing surrounds the sight tube and provides additional strength and protection from mechanical impact while providing maximum visibility. Flanged or threaded connections are available in a variety of sizes to match the diameter of the pipe being used. A wide range of housing materials are available. Units can be made with any overall length if additional visibility is required. The body of the Flanged Armored Indicator is not a wetted part. Only the glass, seal and the PTFE flange facing are in contact with the process media. Maximum pressure allowable will vary with temperature and size.



| Size (Inches) | Dimensions | | | Pressure Rating [psig] |
|---------------|----------------|--------|--------|------------------------|
| | A ¹ | B | C | |
| 1/2" | 6 1/8" | 5/8" | 3 1/2" | 150 |
| 3/4" | 6 3/8" | 7/8" | 3 7/8" | 150 |
| 1" | 6 3/8" | 1" | 4 1/4" | 150 |
| 1 1/2" | 6 3/4" | 1 1/4" | 5" | 150 |
| 2" | 7 5/8" | 1 1/4" | 6" | 120 |
| 2 1/2" | 7 7/8" | 1 1/2" | 7" | 100 |
| 3" | 8 1/8" | 1 3/4" | 7 1/2" | 85 |
| 4" | 8 1/8" | 1 3/4" | 9" | 90 |

| Size (Inches) | Dimensions | | | Pressure Rating [psig] |
|---------------|----------------|--------|--------|------------------------|
| | A ¹ | B | C | |
| 1/2" | 7" | 5/8" | 2 1/2" | 150 |
| 3/4" | 7" | 7/8" | 3" | 150 |
| 1" | 7" | 1" | 3" | 150 |
| 1 1/4" | 7 5/8" | 1 1/4" | 4" | 150 |
| 1 1/2" | 7 5/8" | 1 1/4" | 4" | 150 |
| 2" | 7 5/8" | 1 1/4" | 4 1/2" | 120 |

- - - -

Sightflow Style

LIG-F = Flanged
LIG-S = Threaded

Connection Type Size

| | |
|---------------|---------------|
| Flanged | Threaded |
| 0.50 = 1/2" | 0.50 = 1/2" |
| 0.75 = 3/4" | 0.75 = 3/4" |
| 1.00 = 1" | 1.00 = 1" |
| 1.50 = 1 1/2" | 1.25 = 1 1/4" |
| 2.00 = 2" | 1.50 = 1 1/2" |
| 2.50 = 2 1/2" | 2.00 = 2" |
| 3.00 = 3" | |
| 4.00 = 4" | |

Seal Material

A = Aflas 150
 B = Buna-N
 E = EPDM
 K = Kalrez
 V = Fluorocarbon
 TE = FEP Encap Silicone
 K = Kalrez
 Other (please specify)

Frame Material

CS = Carbon Steel
 304 = 304 Stainless Stl
 316 = 316 Stainless Stl
 Other (Please Specify)

End Plate Material

CS = Carbon Steel
 304 = 304 Stainless Stl
 316 = 316 Stainless Stl
 A20 = Alloy 20
 P = PVC
 CP = CPVC
 Other (Please Specify)

Example: LIG-F-0.50-E-304-304 is a 1/2" 150# flanged end full view armored sight flow indicator with EPDM Seals and 304SST Frame/End plates.